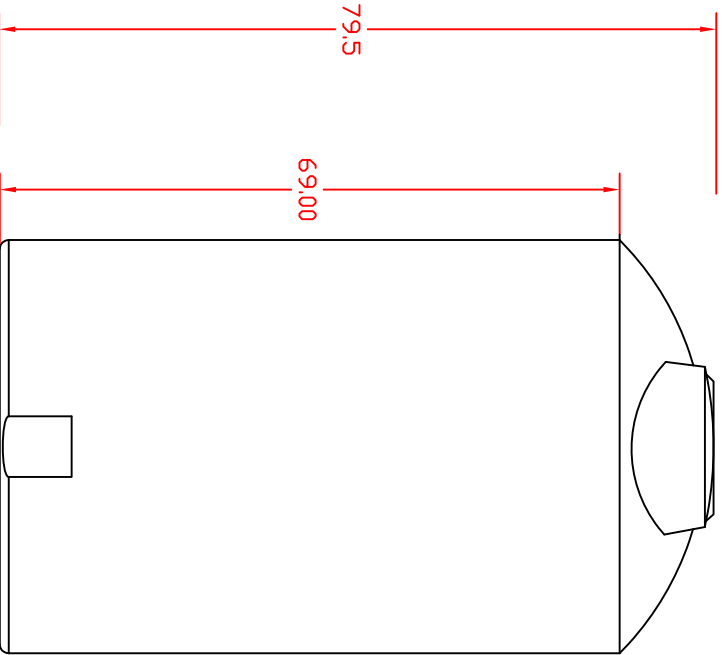
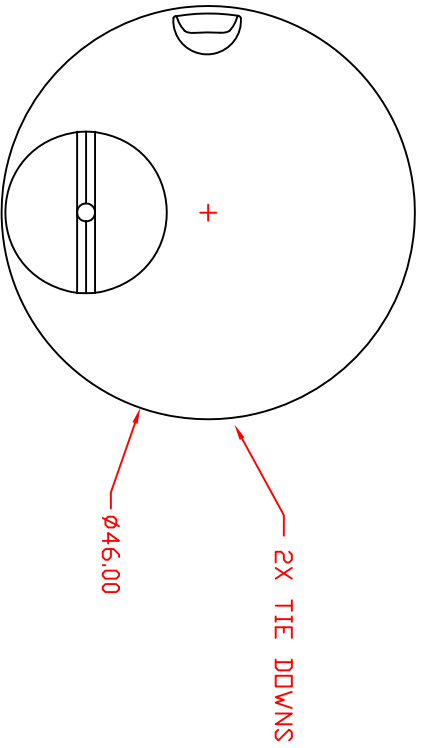


NOZZLE SCHEDULE & ACCESSORIES			
NO.	QTY	SIZE	DEG ELEV



GENERAL NOTES:

1. MATERIAL: TANK TO BE ONE PIECE MOLDED OF HIGH DENSITY POLYETHYLENE. COLOR: NATURAL, DESIGNED FOR CONTENTS TO S.G.
2. CONTENTS:
3. OPERATING TEMP:
4. FLANGES TO BE HAND WELDED W/ NITROGEN GAS
5. DRIENT ALL FITTINGS FROM PLAN VIEW
6. TANK REQUIRES 100% BOTTOM SUPPORT
7. ALL PIPING & VALVES MUST HAVE IT'S OWN SUPPORT AND ALLOW FOR TANK EXPANSION & CONTRACTION
8. TANK IS TO BE LOCATED
9. TANK IS DESIGNED FOR ATMOSPHERIC PRESSURE

QUAN. REQ: (>)

REV	DATE	BY	REMARKS

CUSTOMER: _____

TITLE: 505 GAL VERT

PROTECTOPLAS COMPANY
DIVISION OF EROC, INC.
BENFD, OHIO 44146 USA

SCALE: NTS BR: ZE DATE: _____ DWG. NO.: _____